

TUFF TRACKING UNITS

Our ongoing commitment to the development of better solutions is obvious in the TUFF Tracking Unit range. We have researched and designed this robust system to address the problems that threaten belt tracking and belt life.

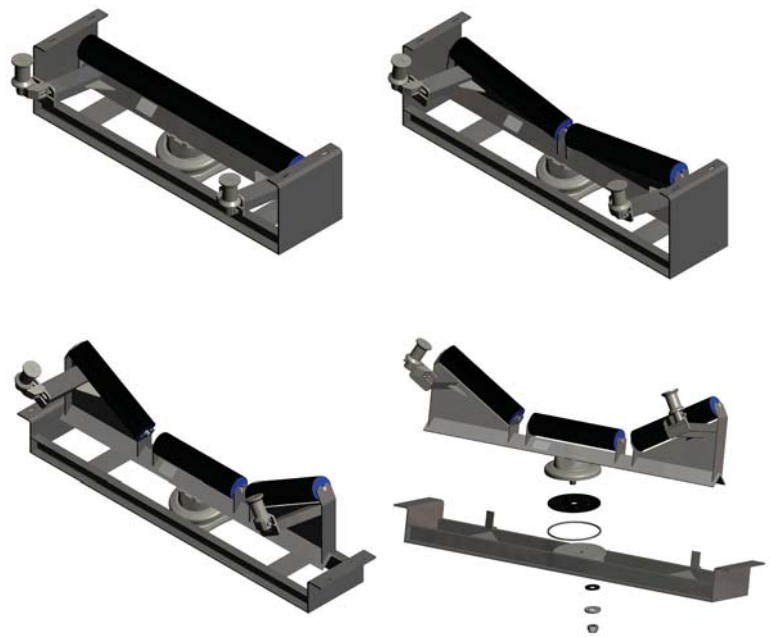
Once your belt is back on track and running true, productivity is enhanced, spillage is reduced and utilisation is optimised.

Our Performance

- TUFF Tracking Units correct tracking and alignment for both through and return belts
- Handles low or high speed and high load belts from 600 mm up to 3200 mm
- Designed to handle the toughest conditions
- Custom made to suit site rollers and conveyor design
- Available in standard, heavy duty and extra heavy duty.

Our Edge

- Manufactured from stainless steel
- Economical, easy to maintain and extremely low maintenance
- Designed for purpose-thrust plate-pivoting arrangements to ensure continual free flowing operation
- Our proven simple design outperforms roller bearings due to a minimum of moving parts
- Assembly is easily split to allow access into tight fitting areas while removing exposure to manual handling hazards
- 100mm diameter stainless steel cotton reel Servo Rollers ensure long life under extreme conditions
- TuffStuff is 100% Australian-owned and operated.



TuffTrak Centre Pivots - Complete Bearing Assembly